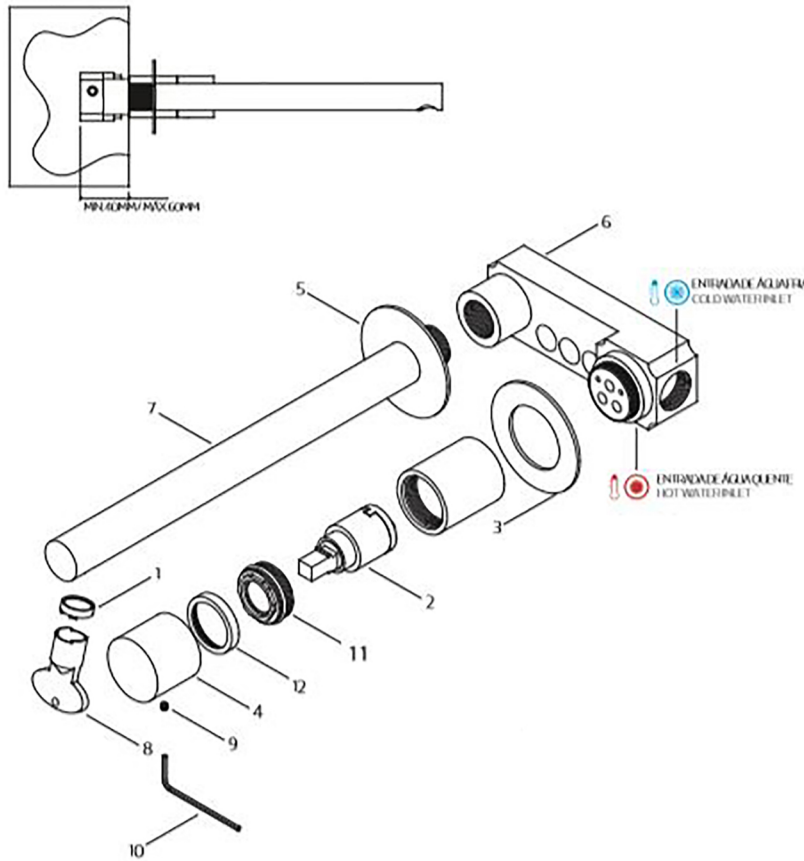


Installation Instructions / Parts Diagram

Note: Item Fully Assembled

FOR ASSEMBLY FOLLOW THE INDICATIONS OF THE DRAWING



TECHNICAL DATA

| Nº | REFERENCE | DESCRIPTION |
|----|-----------|---------------------------|
| 01 | — | AERATOR |
| 02 | — | CARTRIDGE |
| 03 | — | WALL MOUNTED HANDLE PLATE |
| 04 | — | HANDLE |
| 05 | — | WALL MOUNTED SPOUT PLATE |
| 06 | — | MIXER BODY |
| 07 | — | SPOUT |
| 08 | — | AERATOR KEY |
| 09 | — | UMBRAK SCREW |
| 10 | — | UMBRAK KEY |
| 11 | — | LOCKNUT |
| 12 | — | CARTRIDGE CONCEALER |

INSTALLATION RECOMENDATIONS

Before installing a tap, it is good to rinse the supply pipes to remove all residues. We also recommend installing the taps with a filter. The installation of the tap must be done with the surface clean and dry. To perform the water pressure test, the taps must be open.

CLEANING AND MAINTENANCE

Cleaning must be done with liquid soap and water. Do not use liquid detergents containing abrasive or acidic substances, abrasive sponges or disinfectants. Incorrect cleaning may permanently ruin the surface of taps.

On color finishings, do not use products containing alcohol, acetone and other solvents.

Collection
Lapa

Model |
Lapa T7.16

Dimensions Metric

1 inch = 2.54 cm
1 inch = 25.4 mm

WS[®]
BATH
COLLECTIONS

1051 Lea Drive - Collegeville, PA 19426
Tel. 215 513 9400 - Fax 610 831 0215

www.ws bathcollections.com - info@ws bathcollectins.com