

Product Specs Sheets

Cover Page

Dalia C80

Features

- Complete Vanity Unit
- Handles in Polished Chrome
- Wall-hung design offers a clean, streamlined look
- Two soft close drawers with organizer in upper drawer; Drawers with Hettich sliding system
- Includes integrated sink and vanity top in gloss white ceramic; sink has a faucet hole and an overflow
- Fully assembled with structure and front made of engineered wood in wood finishes and high gloss lacquered
- Handle integrated in front of furniture
- Hidden hanging bracket directly assembled with great resistance and depth regulations
- Made in Spain







Related Items:

- WSBC 53991 | Push Waste Drain
- WSBC 53922 | Decorative Trap
- Dalia COL01 | Full Bathroom Column

SKU# | Options:

- Dalia C80.100 WG | Glossy White
- Dalia C80.100 NO | Natural Oak
- Dalia C80.100 GP | Grey Pine
- Dalia C80.100 IM | Island Matte


Finishes:

-  Glossy White
-  Natural Oak
-  Grey Pine
-  Island Matte

Codes & Standards:

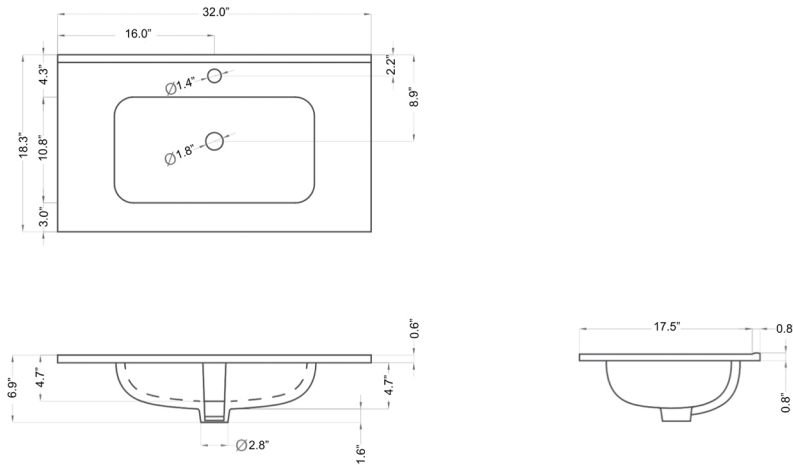
- CARB2 Compliant and Certified
- TSCA Compliant and Certified

* WS Bath Collections reserve the right to make revisions without notice to product specifications, dimensions, or information.

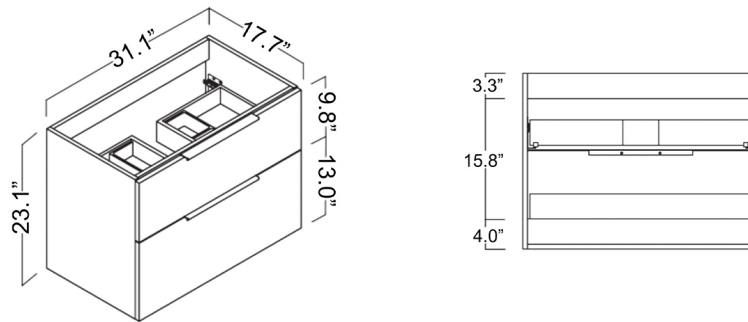
Collection Dalia	Model Dalia C80	Dimensions Metric <i>1 inch = 2.54 cm</i> <i>1 inch = 25.4 mm</i>	 1051 Lea Drive - Collegeville, PA 19426 Tel. 215 513 9400 - Fax 610 831 0215 www.ws bathcollections.com - info@ws bathcollections.com
------------------------------	-----------------------------	--	---

Dalia C80

Sink



Base Unit



Technical information



Organizer unit.



Hettich sliding system.



Adjustable front.



Glossy lacquered finish.



Soft close.

- Height and depth adjustable suspension with anti-detachment system.
- 2 adjustable drawers and door with silentslow closing and metal handles.
- 19 mm front / 16 mm side panels.

Collection |
Dalia

Model |
Dalia C80

Dimensions Metric

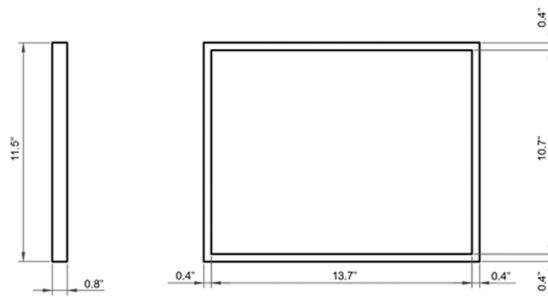
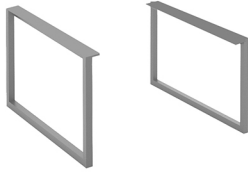
1 inch = 2.54 cm
1 inch = 25.4 mm

WS®
BATH
COLLECTIONS

1051 Lea Drive - Collegeville, PA 19426
Tel. 215 513 9400 - Fax 610 831 0215
www.ws bathcollections.com - info@ws bathcollections.com

Dalia Legs

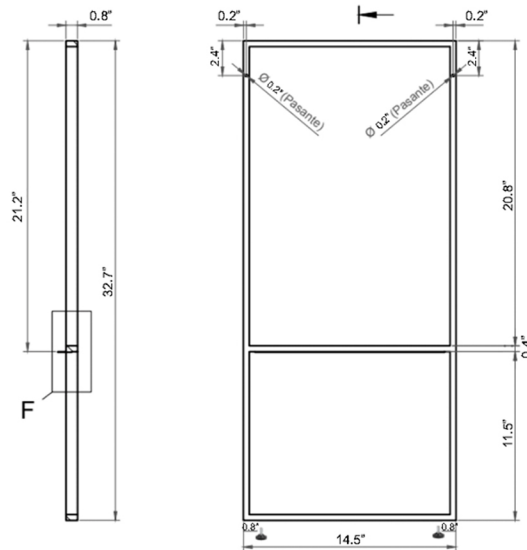
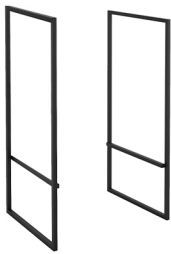
Dalia LS1



SKU# | Options

- Dalia LS1 CR | Polished Chrome
- Dalia LS1 BM | Matte Black

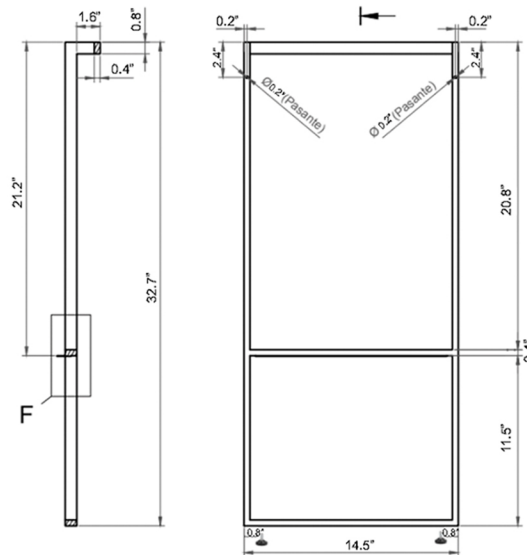
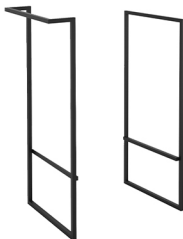
Dalia LS2



SKU# | Options

- Dalia LS2 BM | Matte Black

Dalia LS3



SKU# | Options

- Dalia LS3 BM | Matte Black

Collection |
Dalia

Model |
Dalia LS1
Dalia LS2
Dalia LS3

Dimensions Metric
1 inch = 2.54 cm
1 inch = 25.4 mm



1051 Lea Drive - Collegeville, PA 19426
Tel. 215 513 9400 - Fax 610 831 0215
www.ws bathcollections.com - info@ws bathcollections.com

We recommend the following items that work with your sink.

Dalia C80

TRAPS



WSBC 53922
Our best seller

-  Polished Chrome
WSBC 53922.29
-  Matte Black
WSBC 53922.22



WSBC 5392

-  Polished Chrome
WSBC 5392.29



WSBC 53925

-  Polished Chrome
WSBC 53925.29



WSBC 53921
Space saving

-  Polished Chrome
WSBC 53921.29
-  Matte Black
WSBC 53921.22

DRAINS



WSBC 53991
Push waste drain (click clack)
with overflow

- | | | |
|--|---|--|
| <ul style="list-style-type: none">  Polished Chrome
WSBC 53991.29  Matte White
WSBC 53991.26 | <ul style="list-style-type: none">  Glossy White
WSBC 53991.09  Matte Black
WSBC 53991.22 | <ul style="list-style-type: none">  Glossy Black
WSBC 53991.18 |
|--|---|--|

MOUNTING HARDWARE

Wall-Mount Installation

Vessel/Countertop Installation



Bolts



Silicone (optional)

Collection |
Dalia

Model |
Dalia C80

Dimensions Metric

1 inch = 2.54 cm

1 inch = 25.4 mm



1051 Lea Drive - Collegeville, PA 19426
Tel. 215 513 9400 - Fax 610 831 0215
www.ws bathcollections.com - info@ws bathcollections.com