

# Product Specs Sheets

Cover Page

**Forum A36150**

## Features

- Double Swing Arm Towel Holder
- Polished Chrome Finish
- Solid Brass Base
- Premium Metal Construction for Durability and Reliability
- Installation Hardware Included
- Designer Collection
- Made in Italy



## SKU# | Option:

- Forum A36150 | Polished Chrome

## Finishes:

 Polished Chrome

\* WS Bath Collections reserves the right to revise dimensions or information on this sheet without notice

**Collection |**  
Forum

**Model |**  
Forum A36150

Dimensions Metric

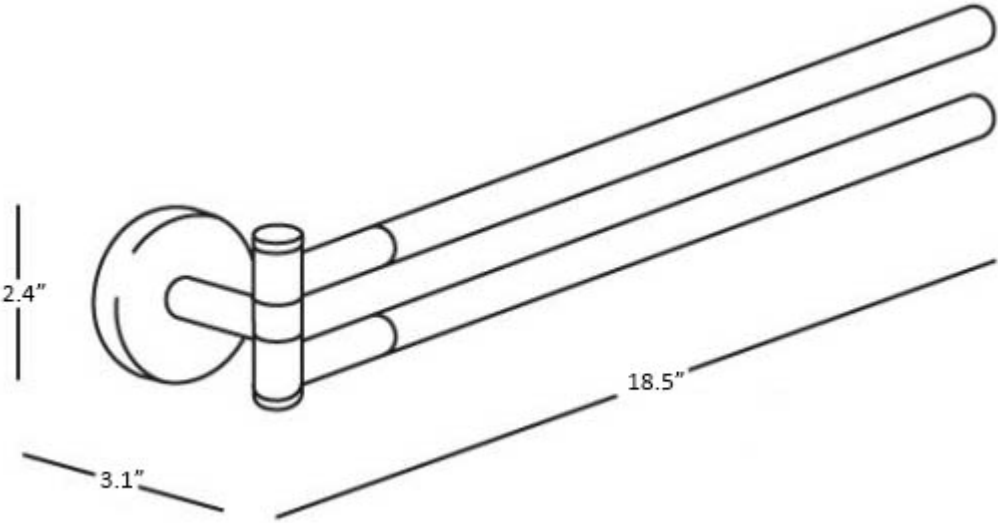
*1 inch = 2.54 cm*

*1 inch = 25.4 mm*


 **WS<sup>®</sup>**  
**BATH**  
**COLLECTIONS**

1051 Lea Drive - Collegeville, PA 19426  
Tel. 215 513 9400 - Fax 610 831 0215

[www.ws bathcollections.com](http://www.ws bathcollections.com) - [info@ws bathcollections.com](mailto:info@ws bathcollections.com)



\* WS Bath Collections reserves the right to revise dimensions or information on this sheet without notice

<b>Collection  </b> Forum	<b>Model  </b> Forum A36150	Dimensions Metric <i>1 inch = 2.54 cm</i> <i>1 inch = 25.4 mm</i>	 1051 Lea Drive - Collegeville, PA 19426 Tel. 215 513 9400 - Fax 610 831 0215 <a href="http://www.ws bathcollections.com">www.ws bathcollections.com</a> - <a href="mailto:info@ws bathcollections.com">info@ws bathcollections.com</a>
------------------------------	--------------------------------	---	---