

Product Specs Sheets

Cover Page

Gealuna A1025A

Features

- Toilet Paper Holder
- Polished Chrome Finish
- Solid Brass Base
- Premium Metal Construction for Durability and Reliability
- Screw Installation or Easy Glue (Self-Adhesive) Installation (No Drilling Required)
- Installation Hardware Included
- Designer Collection
- Made in Italy



SKU# | Option:

- Gealuna A1025A | Polished Chrome

Finishes:

 Polished Chrome

* WS Bath Collections reserves the right to revise dimensions or information on this sheet without notice

Collection |
Gealuna

Model |
Gealuna A1025A

Dimensions Metric

1 inch = 2.54 cm

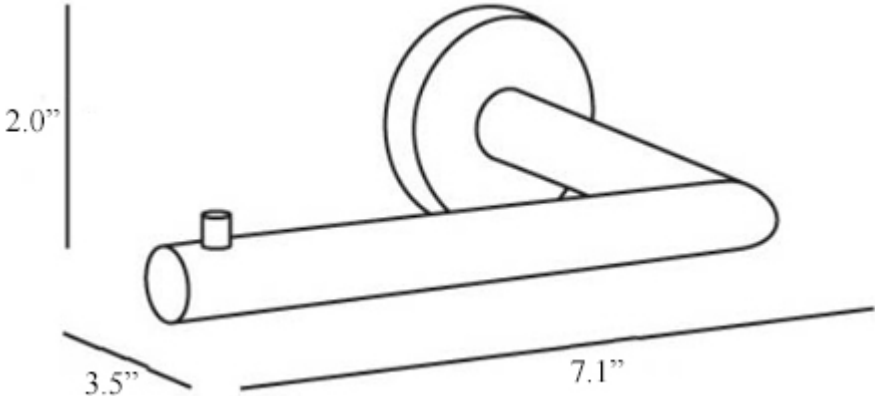
1 inch = 25.4 mm




1051 Lea Drive - Collegeville, PA 19426
Tel. 215 513 9400 - Fax 610 831 0215

www.ws bathcollections.com - info@ws bathcollections.com

Gealuna A1025A



* WS Bath Collections reserves the right to revise dimensions or information on this sheet without notice

<p>Collection Gealuna</p>	<p>Model Gealuna A1025A</p>	<p>Dimensions Metric <i>1 inch = 2.54 cm</i> <i>1 inch = 25.4 mm</i></p>	<p> 1051 Lea Drive - Collegeville, PA 19426 Tel. 215 513 9400 - Fax 610 831 0215 www.ws bathcollections.com - info@ws bathcollections.com</p>
--	--	--	---