

# Product Specs Sheets

Cover Page

Gealuna A1025D

## Features

- Toilet Paper Holder
- Polished Chrome Finish
- Solid Brass Base
- Premium Metal Construction for Durability and Reliability
- Screw Installation or Easy Glue (Self-Adhesive) Installation (No Drilling Required)
- Installation Hardware Included
- Designer Collection
- Made in Italy



## SKU# | Option:

- Gealuna A1025D | Polished Chrome

## Finishes:

 Polished Chrome

\* WS Bath Collections reserves the right to revise dimensions or information on this sheet without notice

**Collection |**  
Gealuna

**Model |**  
Gealuna A1025D

Dimensions Metric

*1 inch = 2.54 cm*

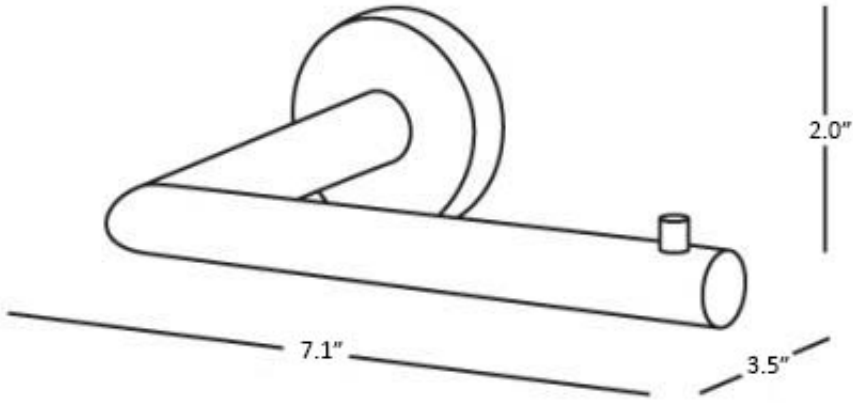
*1 inch = 25.4 mm*




1051 Lea Drive - Collegeville, PA 19426  
Tel. 215 513 9400 - Fax 610 831 0215

[www.ws bathcollections.com](http://www.ws bathcollections.com) - [info@ws bathcollections.com](mailto:info@ws bathcollections.com)

Gealuna A1025D



\* WS Bath Collections reserves the right to revise dimensions or information on this sheet without notice

<p><b>Collection  </b> Gealuna</p>	<p><b>Model  </b> Gealuna A1025D</p>	<p>Dimensions Metric <i>1 inch = 2.54 cm</i> <i>1 inch = 25.4 mm</i></p>	<p> 1051 Lea Drive - Collegeville, PA 19426 Tel. 215 513 9400 - Fax 610 831 0215 <a href="http://www.ws bathcollections.com">www.ws bathcollections.com</a> - <a href="mailto:info@ws bathcollections.com">info@ws bathcollections.com</a></p>
--	--	--	---