

Product Specs Sheets

Cover Page

Quadro A16250

Features

- Toilet Paper Holder
- Polished Chrome Finish
- Solid Brass Base
- Premium Metal Construction for Durability and Reliability
- Installation Hardware Included
- Made in Italy




SKU# | Option:

- Quadro A16250 | Polished Chrome

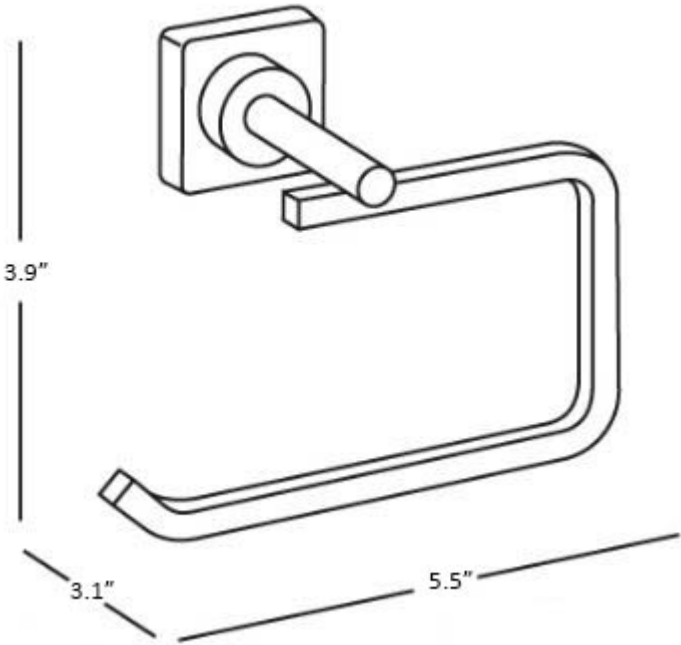
Finishes:

 Polished Chrome


* WS Bath Collections reserves the right to revise dimensions or information on this sheet without notice

Collection Quadro	Model Quadro A16250	Dimensions Metric <i>1 inch = 2.54 cm</i> <i>1 inch = 25.4 mm</i>	 1051 Lea Drive - Collegeville, PA 19426 Tel. 215 513 9400 - Fax 610 831 0215 www.ws bathcollections.com - info@ws bathcollections.com
-------------------------------	---------------------------------	---	---

Quadro A16250



* WS Bath Collections reserves the right to revise dimensions or information on this sheet without notice

<p>Collection Quadro</p>	<p>Model Quadro A16250</p>	<p>Dimensions Metric <i>1 inch = 2.54 cm</i> <i>1 inch = 25.4 mm</i></p>	<p> 1051 Lea Drive - Collegeville, PA 19426 Tel. 215 513 9400 - Fax 610 831 0215 www.ws bathcollections.com - info@ws bathcollections.com</p>
---------------------------------------	---	--	---