

Features


- Lighted Wall Mirror
- With LED Light
- Wall Switch Necessary

Scalin 5690 - 5691

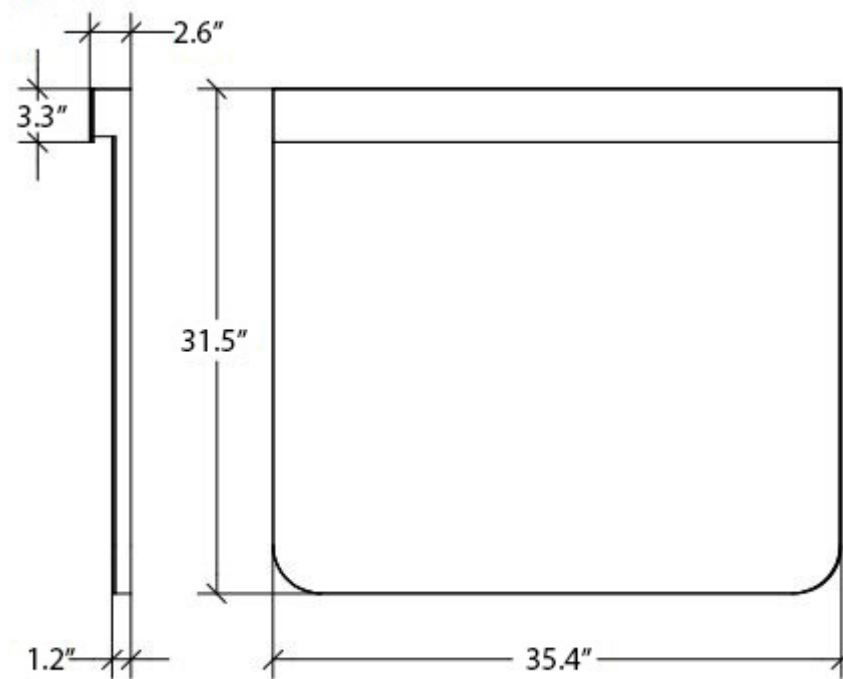


SKU# | Option:

- Scalin 5690 | 35.4" L x 2.6" W x 34.6" H
- Scalin 5691 | 27.6" L x 2.6" W x 34.6" H

<p>Collection Scalin</p>	<p>Model Scalin 5690 - 5691</p>	<p>Dimensions Metric <i>1 inch = 2.54 cm</i> <i>1 inch = 25.4 mm</i></p>	 <p>1051 Lea Drive - Collegeville, PA 19426 Tel. 215 513 9400 - Fax 610 831 0215 www.ws bathcollections.com - info@ws bathcollectins.com</p>
-------------------------------------	--	--	---

Product Specs Sheets



Collection
Scalin

Model |
Scalin 5690

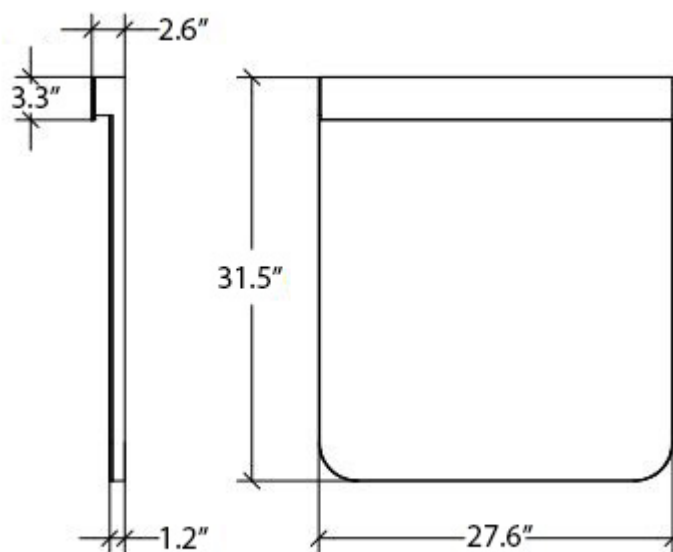
Dimensions Metric

1 inch = 2.54 cm
1 inch = 25.4 mm

WS[®]
BATH
COLLECTIONS

1051 Lea Drive - Collegeville, PA 19426
Tel. 215 513 9400 - Fax 610 831 0215
www.ws bathcollections.com - info@ws bathcollections.com

Product Specs Sheets



Collection
Scalin

Model |
Scalin 5691

Dimensions Metric

1 inch = 2.54 cm
1 inch = 25.4 mm

WS[®]
BATH
COLLECTIONS

1051 Lea Drive - Collegeville, PA 19426
Tel. 215 513 9400 - Fax 610 831 0215

www.ws bathcollections.com - info@ws bathcollections.com