

Product Specs Sheets

Cover Page

Seta 51801

Features

- Toilet Paper Holder
- Available in 2 Finishes
- Aluminum Base
- Premium Metal Construction for Durability and Reliability
- Made in Italy



SKU# | Option:


- Seta 51801.09 | White
- Seta 51801.18 | Matte Black

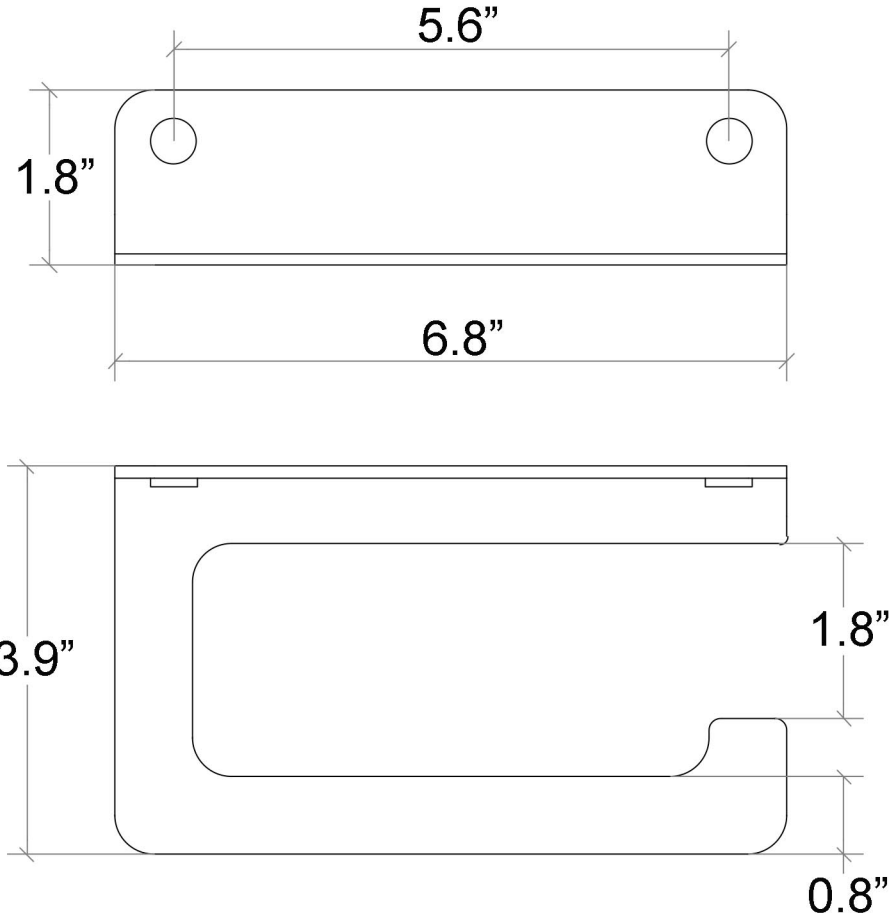
Finishes:

 White


 Matte Black

* WS Bath Collections reserves the right to revise dimensions or information on this sheet without notice

Collection Seta	Model Seta 51801	Dimensions Metric <i>1 inch = 2.54 cm</i> <i>1 inch = 25.4 mm</i>	 1051 Lea Drive - Collegeville, PA 19426 Tel. 215 513 9400 - Fax 610 831 0215 www.ws bathcollections.com - info@ws bathcollections.com
---------------------------	------------------------------	--	---



* WS Bath Collections reserves the right to revise dimensions or information on this sheet without notice

<p>Collection Seta</p>	<p>Model Seta 51801</p>	<p>Dimensions Metric <i>1 inch = 2.54 cm</i> <i>1 inch = 25.4 mm</i></p>	<p> 1051 Lea Drive - Collegeville, PA 19426 Tel. 215 513 9400 - Fax 610 831 0215 www.ws bathcollections.com - info@ws bathcollections.com</p>
-------------------------------------	--------------------------------------	--	---